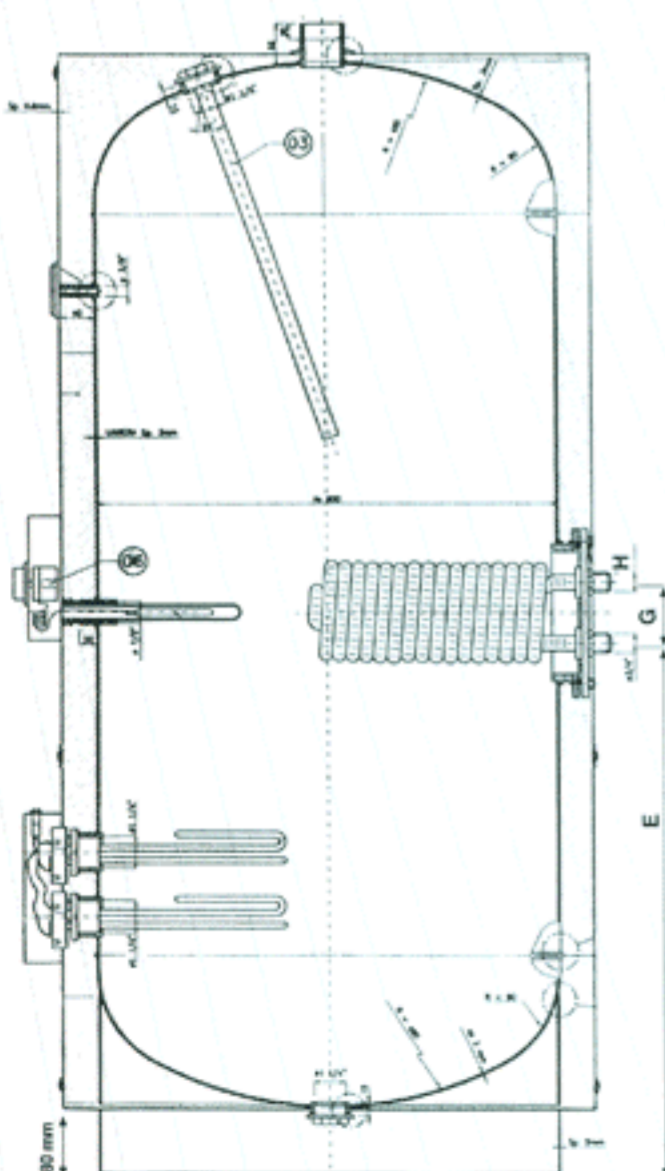
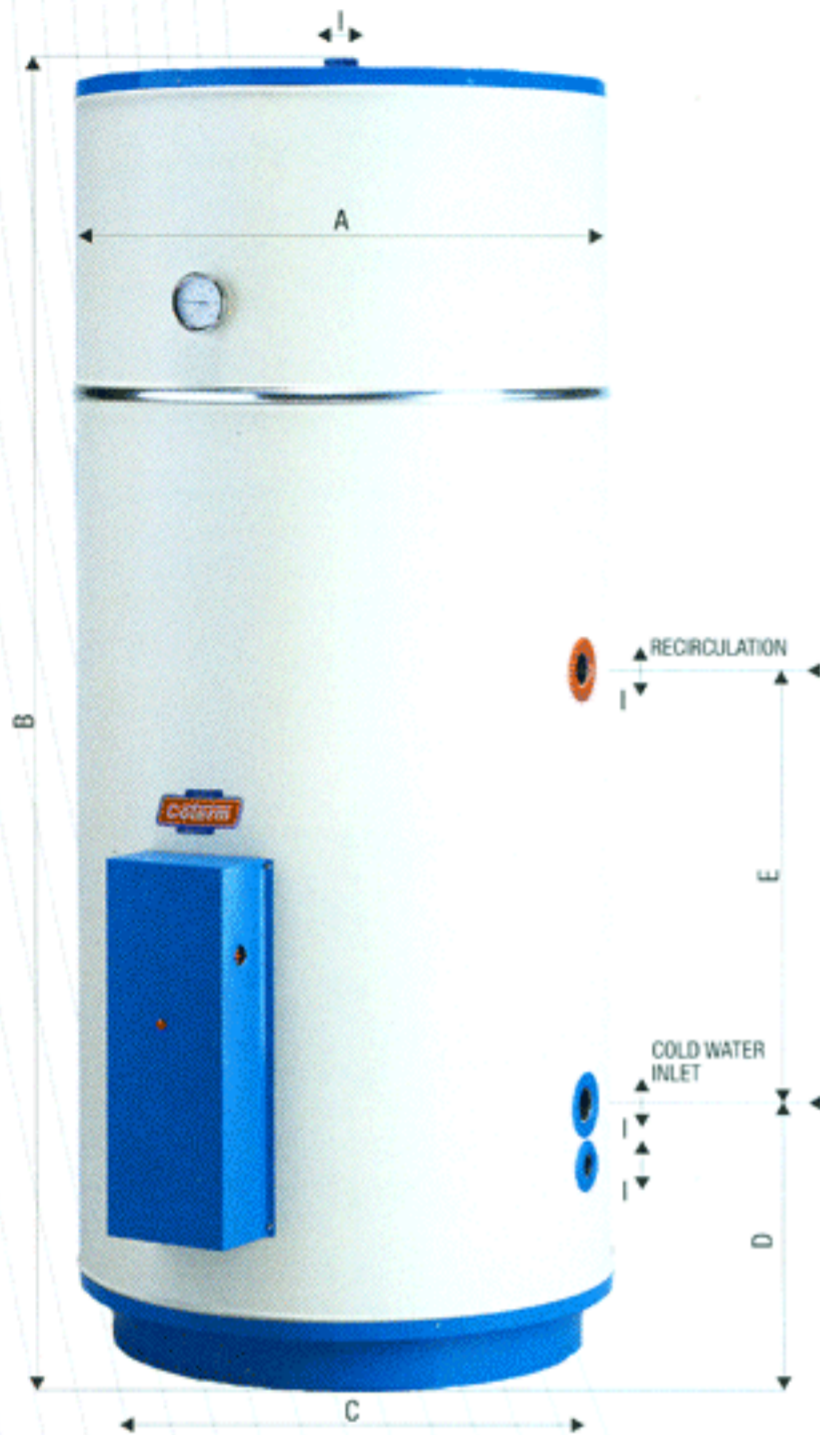


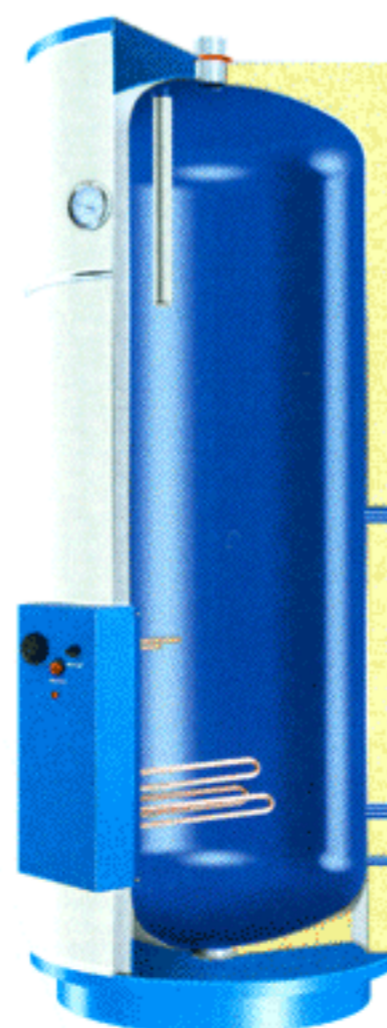
# Serie BE

## Cryolite Glass Finished Industrial Duty Water Heaters



MODEL	BE	BE	BE	BE	BE	BE	BE	BE	BE	BE
	BTE	BTE	BTE	BTE	BTE	BTE	BTE	BTE	BTE	BTE
LITERS	150	200	300	400	500	600	800	1000	1500	2000
A	540	540	700	750	750	800	1000	1000	1500	2000
B	1150	1350	1450	1500	1780	1900	1820	2100	2000	2250
C	480	480	600	650	650	700	900	900	1200	1200
D	280	280	360	360	360	360	370	370	390	400
E	260	380	470	470	600	600	600	600	600	600
F	450	450	500	500	600	600	600	600	600	600
G										
	70	70	70	70	70	70	70	70	70	70
H	¾	¾	¾	¾	¾	¾	¾	¾	¾	¾
I	¾	¾	1 ¼	1 ¼	1 ¼	1 ¼	1 ¼	1 ¼	1 ¼	1 ¼
WEIGHT (Kg)	50	60	85	87	100	120	200	230	280	350

MODEL	SERIE BE/BTE										
	UM	120	150	200	300	400	500	600	800	1000	2000
PRESSURE	bar	6	6	6	6	6	6	6	6	6	6
POWER	kW	1,5	2	3	4,5	5	6	8	10	15	20
VOLTAGE	V	230	230	230	230	230	380	380	380	380	380
WATER PRODUCTION 15° to 45° C	l/h	41	55	82	125	139	167	223	80	280	280
HEATING TIME 15° to 45° C	min	218	218	217	191	215	215	215	215	215	215
COIL SURFACE	m²	0,59	0,59	1,05	1,05	1,05	1,05	1,5	1,5	1,5	1,5
WATER PRODUCTION FROM 15° to 45° C	° C	243	243	432	432	431	605	757	757	757	757
RECOVERY TIME	min	37	50	42	56	70	60	63	80	80	80
Ø CONNECTION		¾"	¾"	¾"	¾"	¾"	¾"	¾"	¾"	¾"	¾"
WATER FLOW RESISTANCE 80/70° C	mca	0,1	0,1	0,4	0,5	0,5	1,0	1,8	1,	2,0	2,0
CAPACITY	l/h	730	730	1310	1310	1310	1830	2300	2300	3000	3800



This electrical industrial duty water heater is ideal for high water production for applications where gas cannot be used.

This electric version is the best solution for SPORT CENTRES, HOSPITALS, LARGE PREMISES, CAMP SITES, HOTELS, REST HOMES, GYMS, SAUNAS, and for any applications requiring high water production.

**BOILER:** made of top quality steel sheet metal.

**CASING:** made of pre-painted galvanised sheet metal.

**THERMOSTAT RESISTANCE UNIT:** consisting of a copper resistance available in a range of power outputs according to the water capacities and requirement (see technical datasheet) and of a single pole thermostat to control the temperature of the water.

**THERMAL INSULATION:** made of top quality fibreglass to ensure optimal output.

