

Specifications

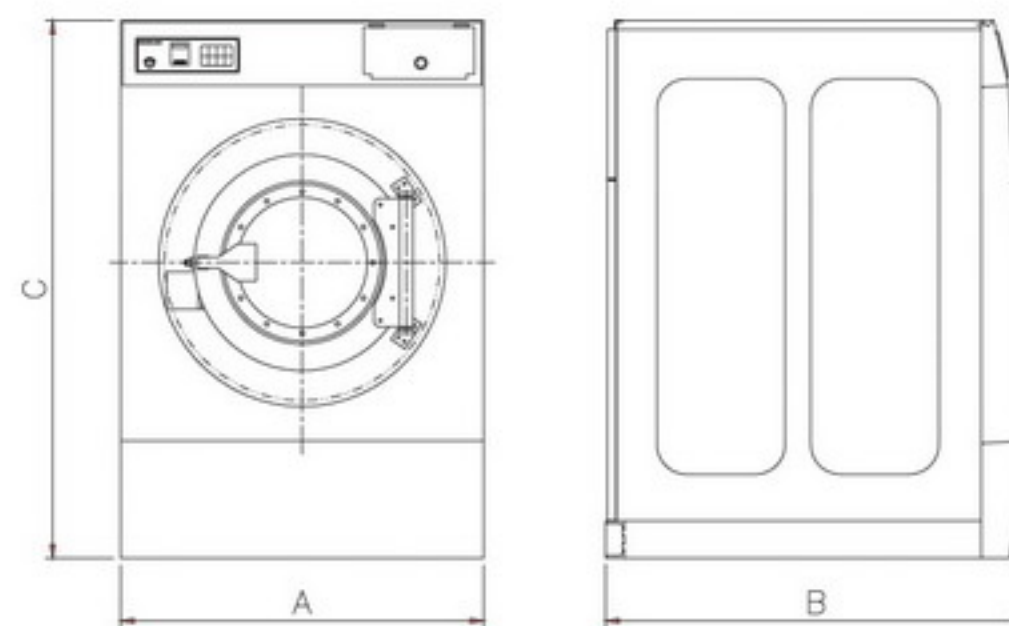
HE

Series
20 pound
30 pound
40 pound
60 pound
80 pound



Standard Features :

- All wetted parts are 304 (18/8) stainless steel
- 3 or 4 compartment supply dispensers
- 30-cycle microprocessor
- 150G extraction force
- 5 degree lean back for strength and easier loading
- Built in vacuum breaker
- Variable speed frequency inverter
- Stainless steel cabinet



MODEL	Units		HE-20	HE-30	HE-40	HE-60	HE-80
	Metric	US					
CAPACITY:							
Loading factor	1:10	kg lbs	9.7 21	12.8 28.2	19.2 42.2	27.4 60	38.5 84.7
	1:12	kg lbs	8.0 17.6	10.7 23.5	16 35.2	22.8 50.2	32.1 70.6
	1:13	kg lbs	7.3 16.2	9.8 21.5	14.8 32.6	21.1 46.4	29.6 65.1
OVERALL DIMENSIONS:							
A - Width	mm in		735 28.9	724 28.5	785 30.9	880 34.6	1150 45.3
B - Depth	mm in		1181 46.5	965 38	1120 44.1	1194 47	1255 49.4
C - Height	mm in		786 30.9	1143 45	1315 51.8	1555 61.2	1720 67.7
WEIGHT AND SHIPPING INFORMATION:							
Net Weight	kg lbs		240 529	235 517	480 1055	660 1450	785 1728
Domestic shipping weight	kg lbs		254 560	246 543	492 1083	720 1584	803 1767
CYLINDER INFORMATION:							
Diameter	mm in		612 24.1	612 24.1	683 26.9	790 31.1	924 36.4
Depth	mm in		325 12.8	435 17.13	525 20.7	560 22	574 22.6
Volume	liters cu ft		96 3.4	128 4.52	192 6.8	274 9.7	385 13.6
Perforation size	mm in		4.8 0.188	4.8 0.188	4.8 0.188	4.8 0.188	4.8 0.188
Perforation open area	%		15	17	19	23	24
CYLINDER SPEEDS:							
Wash	rpm g		48.5 0.8	48.5 0.8	46 0.8	43 0.8	39.5 0.8
Distribution	rpm g		76.5 2	77 2	73 2	67 2	62 2
Extract	rpm g		484 80	664 150	628 150	583 150	542 150
DOOR OPENING AND HEIGHT:							
Diameter	mm in		365 14.4	400 15.7	400 15.7	450 17.7	520 20.5
Height of door bottom above floor	mm in		450 18	355 14	475 18.7	569 22.4	616 24.25
DRIVE INFORMATION:							
Number of motors	Number		1	1	1	1	1
Size of motor	KW Hp		0.75 1	1.5 2	2.2 3	3.7 5	5.5 7.5
WATER INLETS							
Hot water size	DN in		20 3/4	20 3/4	20 3/4	20 3/4	20 3/4
Cold water size	DN in		20 3/4	20 3/4	20 3/4	20 3/4	20 3/4
Additional water Inlet	DN in		20 3/4	20 3/4	20 3/4	20 3/4	20 3/4
Average HOT water consumption/ cycle	liters gal		91 24	91 24	193 51	223 59	371 98
Average COLD water consumption/cycle	liters gal		174 46	174 46	102 27	106 28	174 46
DRAIN OUTLETS AND CAPACITY:							
Number of drains	Number		1	1	1	1	1
Drain size	mm in		51 2	51 2	76.2 3	76.2 3	76.2 3
Drain capacity	liter/min gpm		113 30	113 30	159 42	246 65	473 125
STEAM INLET and CONSUMPTION:							
Steam inlet size	DN in		13 1/2	13 1/2	13 1/2	13 1/2	20 3/4
Required steam to heat bath 10F (5.5SC)LOW	kg lbs		0.5 1	0.5 1	5.3 2.4	8.4 3.8	14 6.4
Required steam to heat bath 10F (5.5SC)HIGH	kg lbs		0.6 1.5	0.6 1.5	6.6 3	9.2 4.2	16 7.3
Average Steam consumption per cycle	kW BHP		7 0.7	7 0.7	15 1.5	22 2.2	35 3.6
ELECTRICAL SERVICE:							
208-240VAC, 50/60Hz, 1PH	Amps Breaker		6.2 15	6.2 15	8.1 15	8.8 15	22 25
208-240VAC, 50/60Hz, 3PH	Amps Breaker		3.6 15	3.6 15	4.7 15	5.1 15	12.7 15
380-480VAC, 50/60Hz, 3PH	Amps Breaker		1.8 15	1.8 15	2.3 15	2.5 15	6.3 15

Due to our policy of ongoing improvements, all specifications are subject to change without notice.
Additional options : Consult factory or distributor.



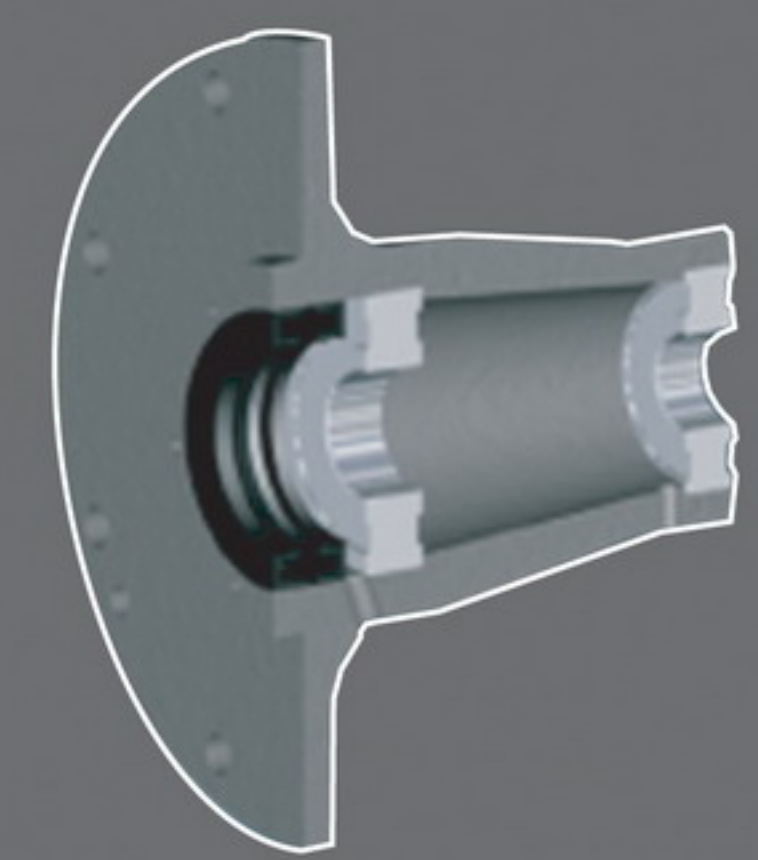
Series - HARDMOUNT

Medium Speed Economy Washer - Extractors

The Image HE series - Hardmount Medium Speed Economy Washer- Extractors for General Laundry Applications

Outstanding Reliability and Efficiency at a Price you can afford

Powerful, efficient, and affordable. These are the design keys for the economy series of Hardmount washer-extractors. Our simple innovative features and robust design ensure low cost of ownership and infrequent maintenance. Simple design and fewer parts are the guarantee. Our combined engineering expertise in the industry assures that you will receive the best for less and products that will meet today's and tomorrow's need in the laundry industry. We know you don't have time to deal with breakdowns.

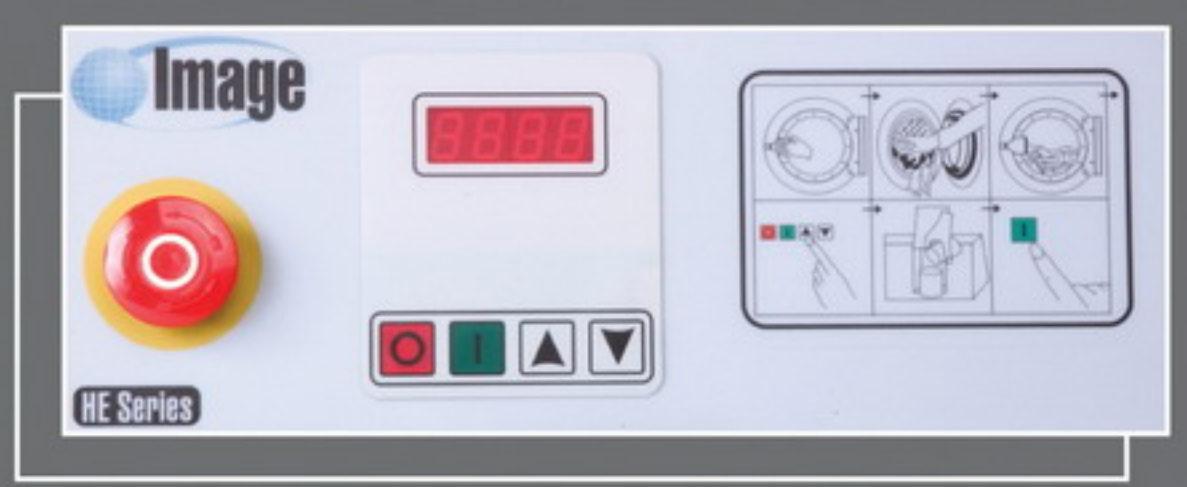


Solid Bearing Housing with High Quality Bearings and Seals

Rugged cast iron construction is used in our durable bearing housing. The shaft is constructed of high strength steel. Oversized permanently lubricated ball bearings are service free and designed for extended life. Double lip seals and a face seal protect the bearings. A large leak off area is provided, which yields long bearing life.

Simple Microprocessor Control

The reliable B-Computer provides the capacity to store and execute 30 wash programs, and is simple to operate and program. Four chemical signals are provided for control of external liquid supplies. It controls water inlets, drain, wash speeds, temperature, water levels and all the functions to reach an optimum wash result at the lowest possible cost.



Robust Energy Efficient Drive

The machine is provided with a single totally enclosed standard motor that is controlled electronically by a variable frequency drive. This makes the machine control simple and very flexible. The inverter reduces the peak energy demand, saving energy and lowers the inrush current. It is also a watchdog for the motor, protecting against overload and over voltage. The single motor drive and inverter eliminate clutches, gear reducers, idlers, plus reduces the use of electromechanical components such as contactors and relays. It provides a powerful yet simple drive alternative that is more economical than multi motor drives. The inverter makes it possible to achieve high extract speeds that achieve significant energy and time saving in the drying process.

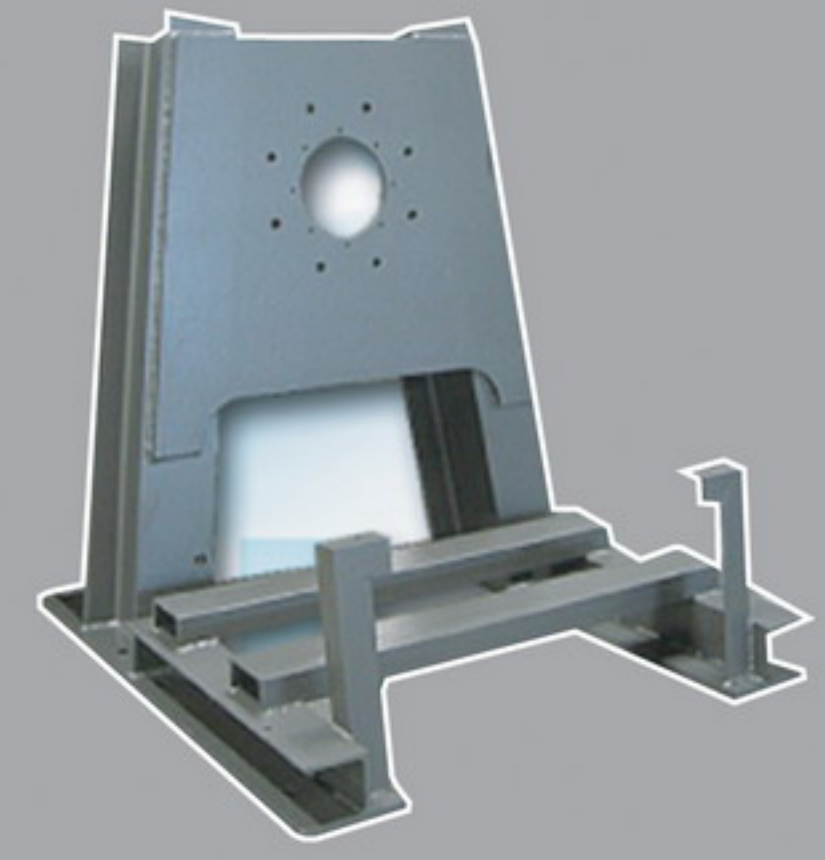
Large Door Opening and Safe Door Interlock

Loading and unloading are fast and easy through the oversized door that opens 180 degrees. The door is located at a convenient height and is constructed of stainless steel and built with an oversize stainless steel hinge for extra strength and durability. The silicon door gasket is designed for long life and seals to the shell every time without leaking. A powerful and safe electro-mechanical door interlocking system is provided for safe and easy operation.



Solid Mount Construction

Amazing strength and fewer parts give the HE series extra long life, without needless breakdowns. The frame is engineered, computer analyzed, and tested for a lifetime rigorous operation. It has a protective powder coating to reduce possible corrosion and prolong the life.



Supply Dispenser

A 3 or 4 compartment dispenser is standard. It is mounted in the front of the machine at a convenient height for easy reach and flushes automatically. The location of the dispenser allows machines to be placed next to each other. As standard the HE model machines are provided with four supply signals and four connections for external liquid supply.



I M A G E